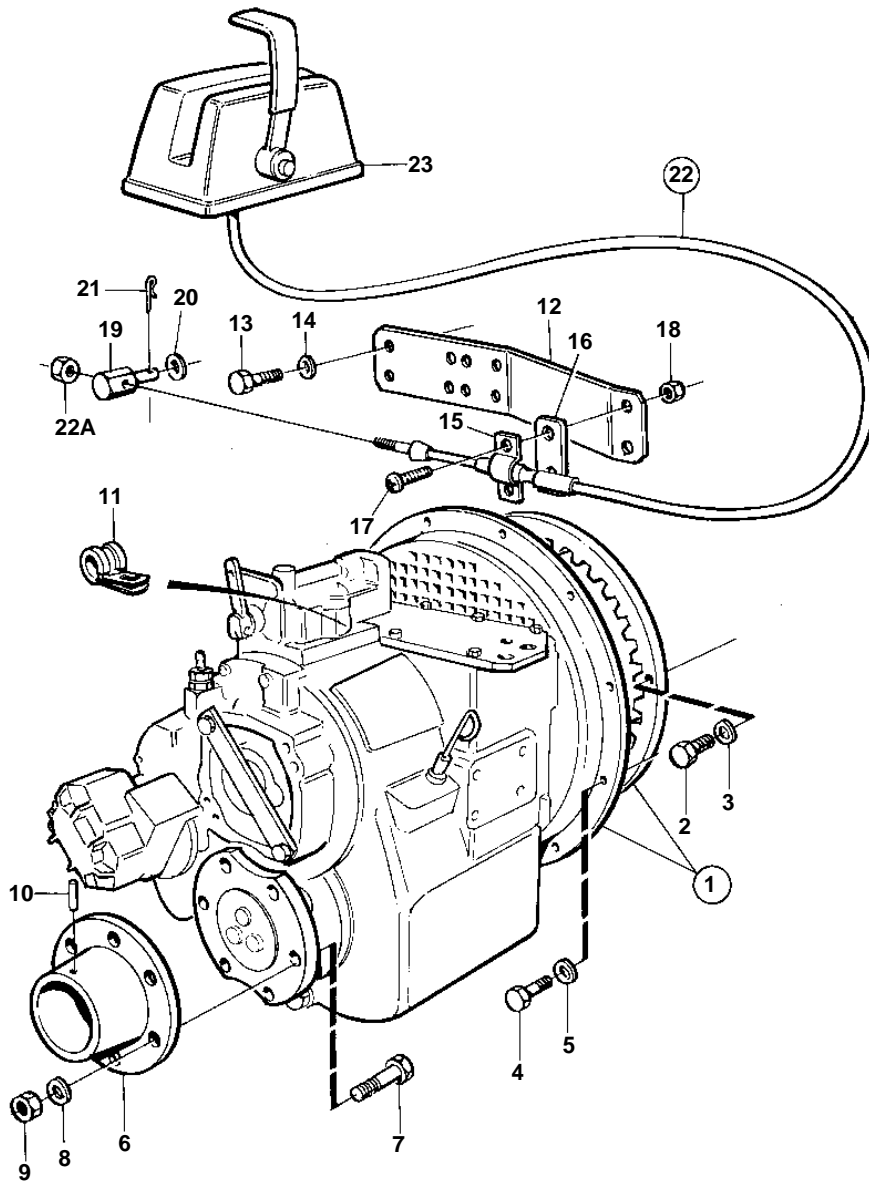


TAMD102D



15497

TAMD102D

REF	PART NO.	QTY	DESCRIPTION	NOTES
1		1	Reversing gear	RATIO 2.04:1,2.45:1 2.95:1
2	955561	8	Screw	
3	940280	8	Spring washer	
4	940134	12	Screw	
5	941909	12	Spring washer	
6	865434	1	Clutch flange	SO
7	955751	6	Screw	SO
8	941914	6	Spring washer	
9	950379	6	Nut	
10	965011	2	Pin	SO
11	946834	1	Clamp	For cable, oil pressure sensor.
12	863123	1	Bracket	
13	955524	2	Screw	
14	941907	2	Spring washer	
15	819067	1	Brace	For control cable type 333.
	6853782	1	Clamp	For control cable type 443.
16	819068	1	Washer	
17	956079	2	Screw	
18	963104	2	Nut	
19	853217	1	Cube	
20	940191	1	Washer	
21	907824	1	Cotter pin	
22		X	Control cable	SEE GROUP 27
22A		1	• Nut	
23		X	Control	SEE GROUP 27